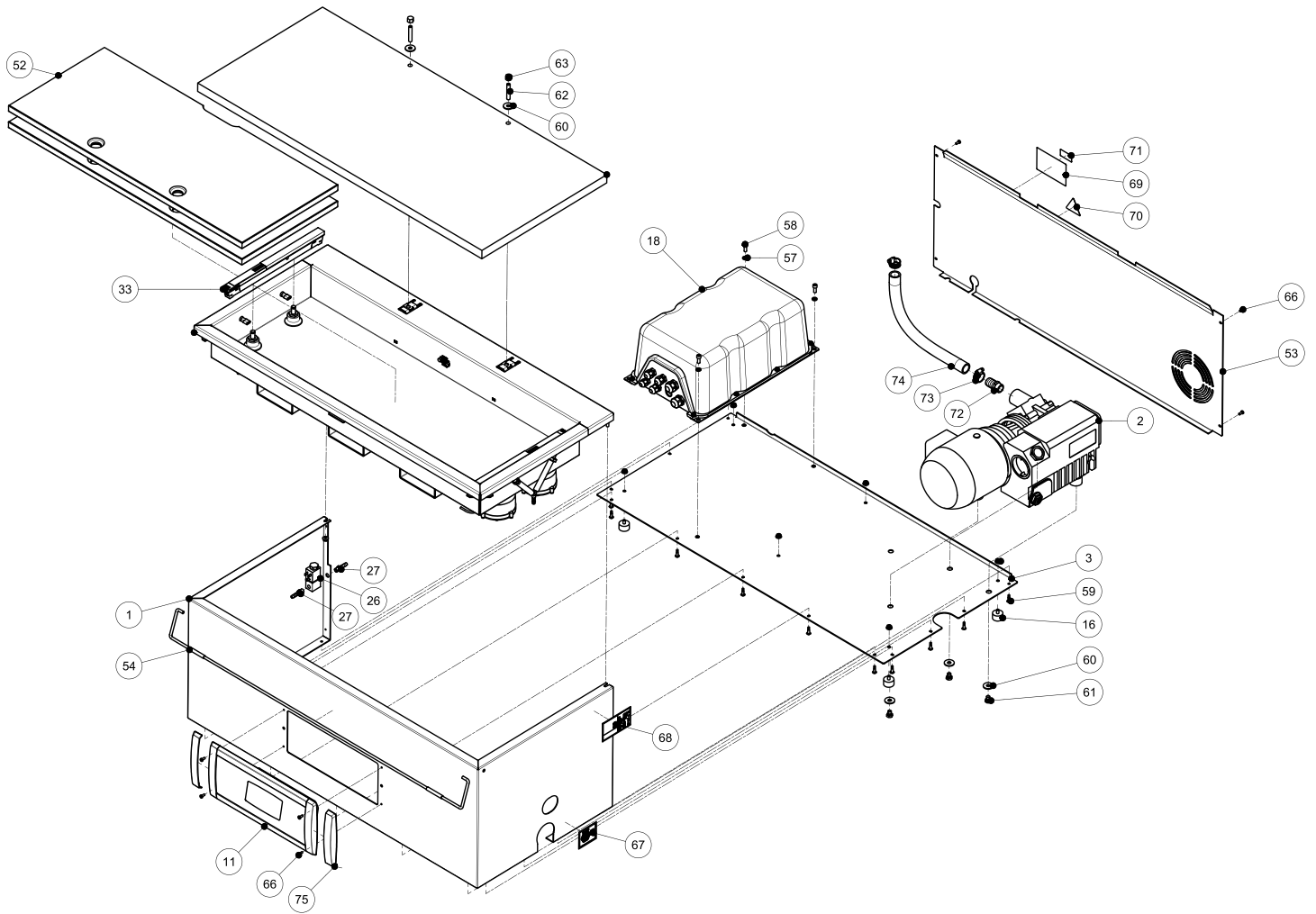


# Parts Breakdown

Model VP-NL-0050-SN 59014

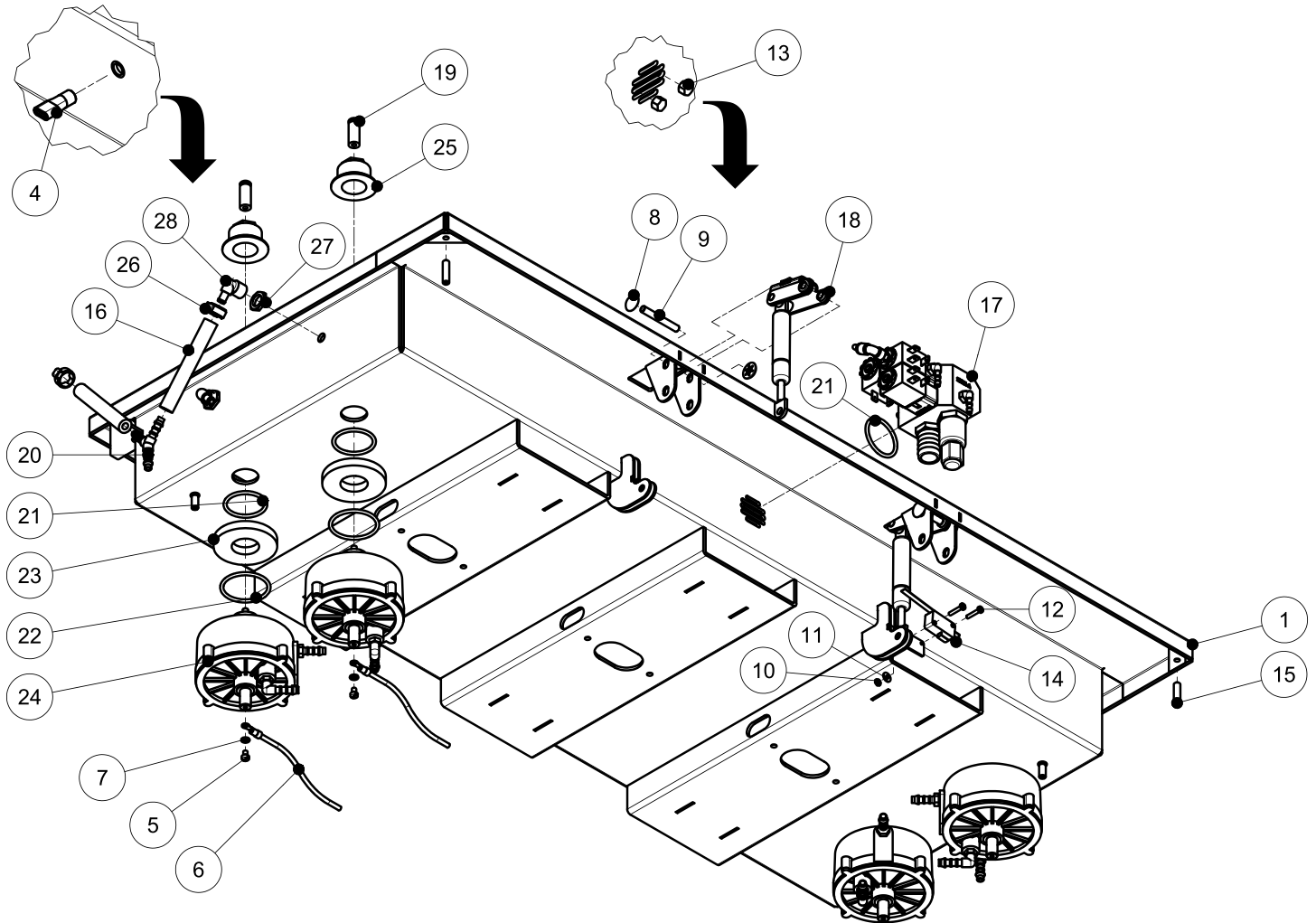
Overall



# Parts Breakdown

Model VP-NL-0050-SN 59014

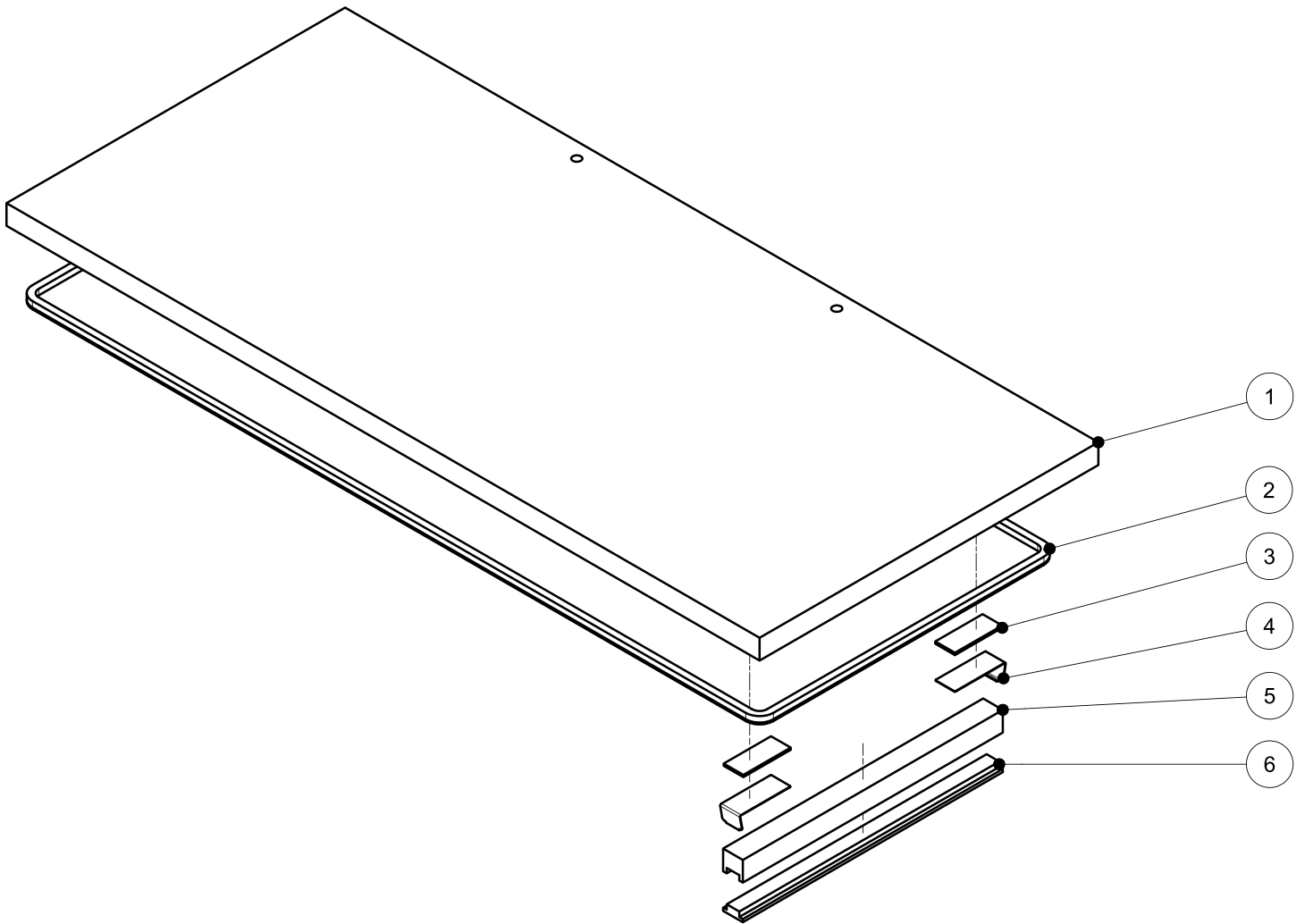
Vacuum Chamber



# Parts Breakdown

Model *VP-NL-0050-SN* 59014

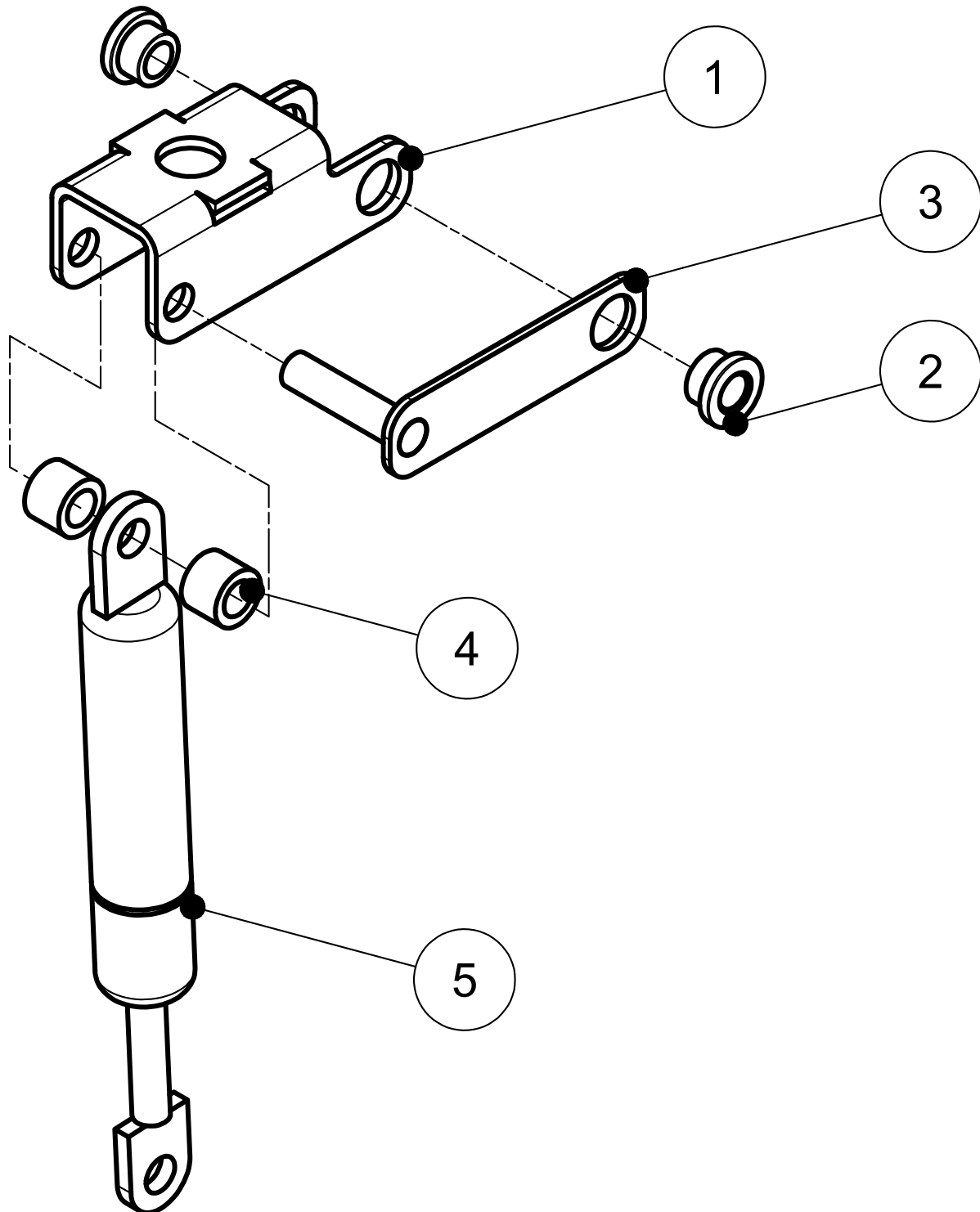
*Seal Lid*



# Parts Breakdown

Model VP-NL-0050-SN 59014

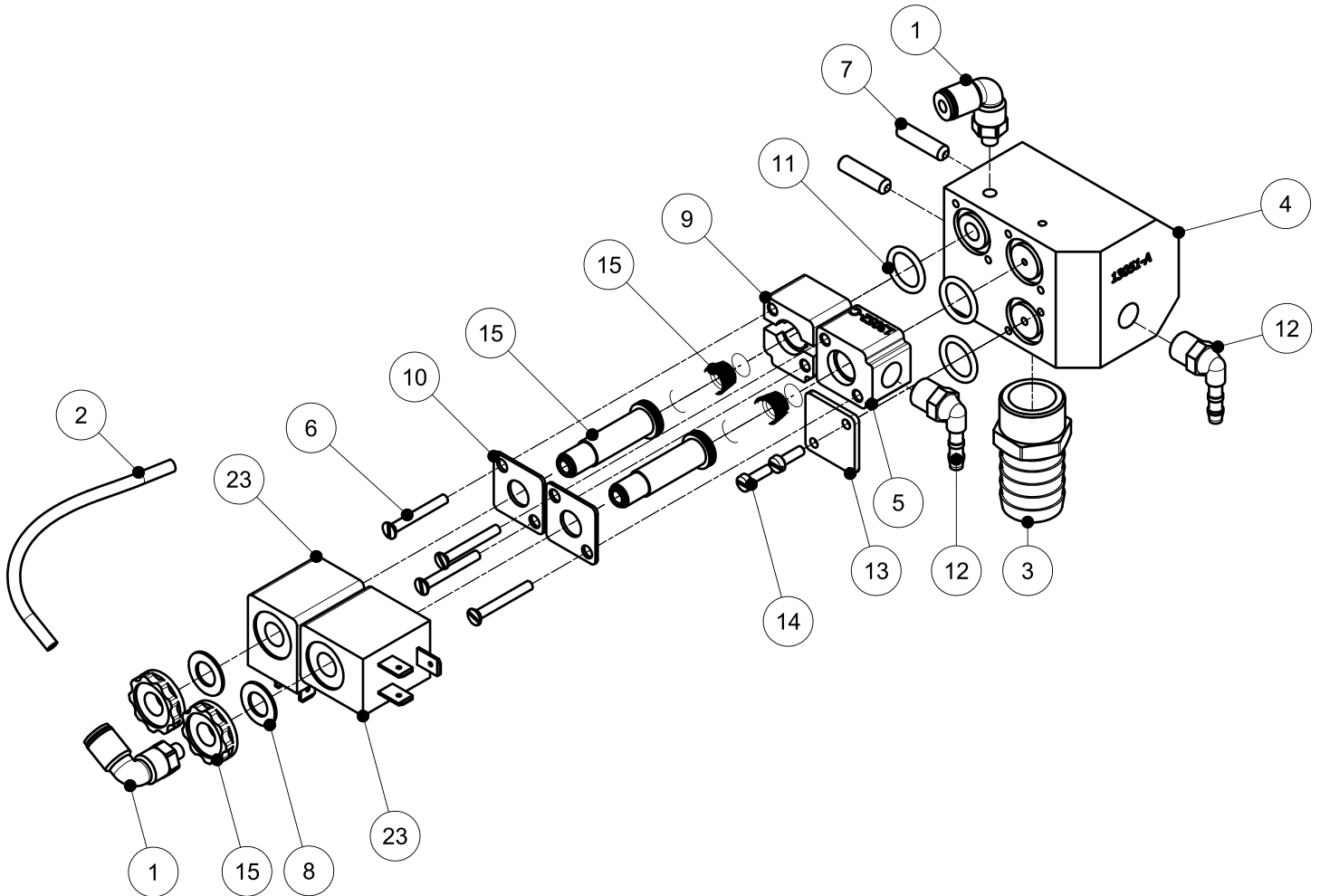
Hinge



# Parts Breakdown

Model VP-NL-0050-SN 59014

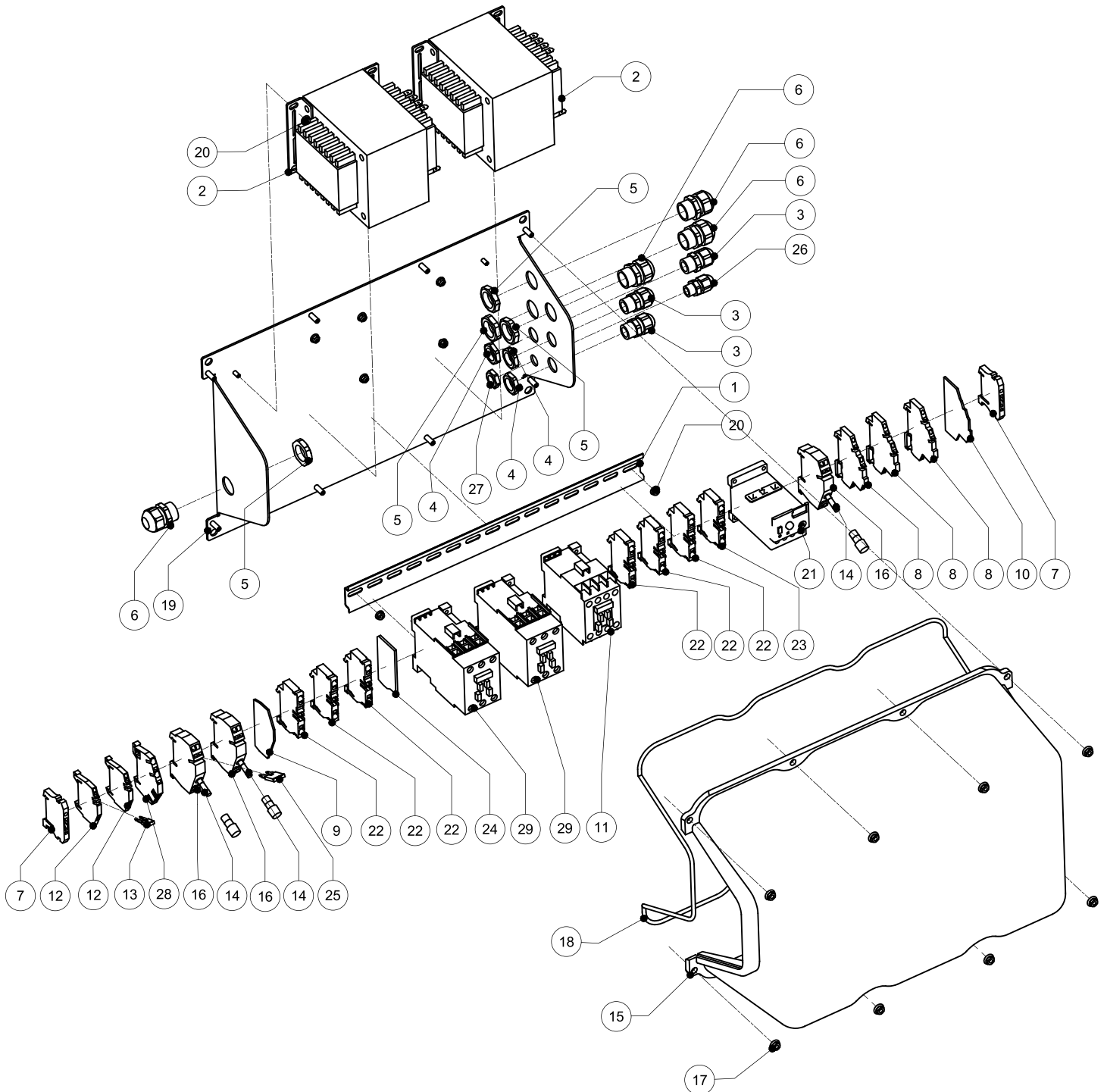
Air Valve



# Parts Breakdown

Model VP-NL-0050-SN 59014

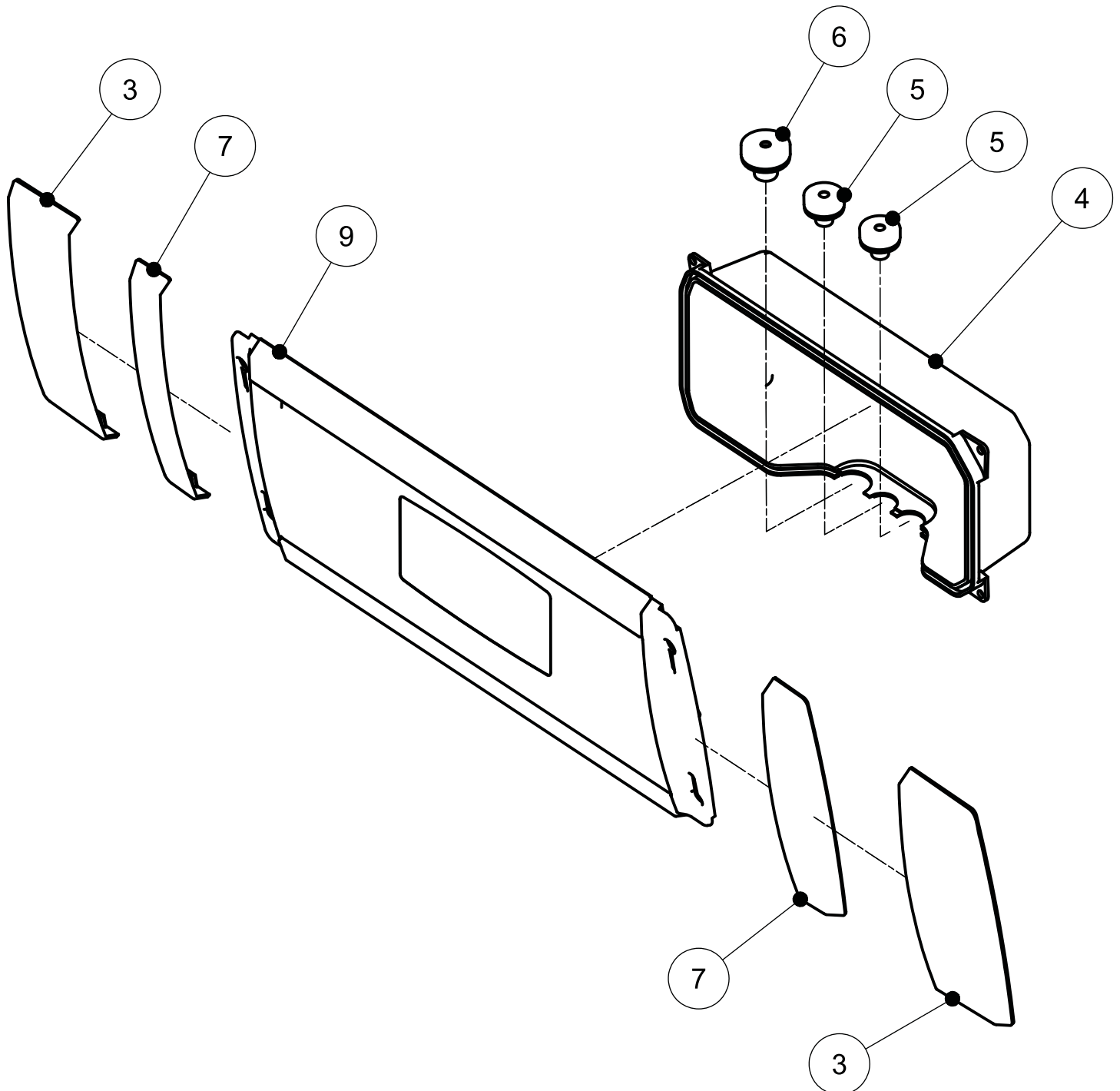
Switch Box



# Parts Breakdown

Model VP-NL-0050-SN 59014

Control Panel



# Parts Breakdown

**Model VP-NL-0050-SN 59014**

**Overall**

| Item No. | Description                                  | Position | Item No. | Description                                      | Position | Item No. | Description  | Position |
|----------|--|----------|----------|--|----------|----------|--|----------|
| 65864    | Housing T5 for 59014                         | 1        | 65870    | Lid Closure E-163 for 59014                      | 54       | 27789    | Slott.Rais.Counter.Head Screw M4x10 DIN7985 A2 for 59014 | 66       |
| AI921    | 21m3 Vacuum Pump for 59014                   | 2        | 65846    | Elma Cover Knob 040-3020 Black for 59014         | 56       | 27796    | Sticker Oil for 59014                                    | 67       |
| 65865    | Bottom Plate T5 for 59014                    | 3        | 27824    | Castle Washer M6 for 59014                       | 57       | 27794    | Sticker Machine Type for 59014                           | 68       |
| AI879    | Control Panel Small-PCB 1-Program for 59014  | 11       | 65792    | M6x16 Cylinder Head Cap Screw DIN 912 for 59014  | 58       | 35224    | Sticker 98x65 Yellow for 59014                           | 69       |
| 65834    | Vibration Absorber D=25 H=17 M6x10 for 59014 | 16       | 65836    | Hucknagel Magna-Lok MGLP-B6-4 for 59014          | 59       | 27795    | Sticker Tension Triangle for 59014                       | 70       |
| 62719    | Switch Box Model-I SC-DC for 59014           | 18       | 35219    | Flat Washer M8 D9021 A2 for 59014                | 60       | 35223    | Sticker 19x38 Yellow for 59014                           | 71       |
| 35285    | Valve 2/2 MA-222-003-P27-SAH 24 for 59014    | 26       | 35220    | Hexagon Screw M8x10 DIN933 A2 for 59014          | 61       | 65748    | Hose Bill G1-2X19mm OU. for 59014                        | 72       |
| 35207    | Brass Hose Coupling 1/8x6 Ext. for 59014     | 27       | 65750    | M8x45 Hexagon Socket Set Screw DIN 916 for 59014 | 62       | 27835    | Hose Clip ABA 15-24mm for 59014                          | 73       |
| 65842    | Seal Bar DS-3-320 for 59014                  | 33       | 65751    | M8 Hexagon Cap Nut DIN 917 for 59014             | 63       | 15832    | PVC Suction Hose HNA-20X3.4mm for 59014                  | 74       |
| 65868    | Insert Plate M3/T5-KK for 59014              | 52       | 30005    | Hexagon Screw M6x12 DIN933 A2 for 59014          | 64       | 65740    | Cap Small Holder 04-Control for 59014                    | 75       |
| 65869    | Rear Wall T5 for 59014                       | 53       | 65749    | M6 Hex Nut Din 985 for 59014                     | 65       |          |  |          |

## Vacuum Chamber

| Item No. | Description  | Position | Item No. | Description   | Position | Item No. | Description  | Position |
|----------|--|----------|----------|---|----------|----------|--|----------|
| AI922    | Vacuum Tray T5 / S50 for 59014                                 | 1        | 65772    | M3 Washer DIN 9021 for 59014  | 11       | 27381    | O-Ring 34x3mm for 59014                            | 21       |
| AI923    | Blindstop 1/8" Bu Zesk MS-VN for 59014                         | 2        | AI850    | M3x16 Cross Recessed Raised Cheese Head Screws - DIN 7985 for 59014 | 12       | 27832    | O-Ring 40x3mm for 59014                            | 22       |
| 35431    | Sealing Washer 0251796/0251797 for 59014                       | 3        | AI846    | M5 Hexagon Cap Nut DIN 917 for 59014                                | 13       | 65774    | Distance Ring 8mm for Seal Cilinder 90mm for 59014 | 23       |
| 35202    | Gas Nozzle STST 1/8 for 59014                                  | 4        | 15775    | Micro Switch MV3003L for 59014                                      | 14       | 65764    | Seal Cylinder 90mm Trough Shaft Assemb. for 59014  | 24       |
| 27830    | Slotted Cheese Head Screw M4x6 A2 DIN84 for 59014              | 5        | 27788    | Adj.Screw/Soc.Head M6x25 DIN916 A2 for 59014                        | 15       | 27799    | Plastic Nut M24 for 59014                          | 25       |
| 65775    | Seal Cord C1 for 59014   | 6        | 27837    | Hose (O2) Drago 6x13 for 59014                                      | 16       | 30019    | Hose Clip Klemfa 12.8x14.8mm for 59014             | 26       |
| 65776    | Spring Washer DIN 127 - A4 for 59014                           | 7        | 62740    | Vacuum Valve D4 for 59014   | 17       | 30010    | Brass Nut 1/4 for 59014                            | 27       |
| 27810    | Spring Ring with Cover 6mm / Shaft Locker with Cover for 59014 | 8        | AI924    | T5/M3 Hinge Part Assembled for 59014                                | 18       | 35201    | Elbow Brass for Gas Pipe for 59014                 | 28       |
| AI888    | Hinge Shaft TT-03 for 59014                                    | 9        | 65765    | Extension Seal Cylinder 27mm for 59014                              | 19       |          |  |          |
| 27823    | Hexagon Nut M3 DIN934 A2 for 59014                             | 10       | 30017    | Y Connecting Piece 6mm for 59014                                    | 20       |          |  |          |



# Parts Breakdown

**Model VP-NL-0050-SN 59014**

**Seal Lid**

| Item No. | Description                                      | Position | Item No. | Description                                    | Position | Item No. | Description                                     | Position |
|----------|--|----------|----------|--|----------|----------|---|----------|
| AI925    | Vacuum Cover T5 for 59014                        | 1        | 62750    | Acrylic Tape Double Sided 25mm L60mm for 59014 | 3        | AI915    | Silicone Holder T3 for 59014                    | 5        |
| 35105    | Sil.Profile Lid Gasket 8mm 60 SH/25MTR for 59014 | 2        | 65761    | Clamping Spring Silicone Holder for 59014      | 4        | 15842    | Silicone T Profile 40 Shore One Meter for 59014 | 6        |

**Hinge**

| Item No. | Description                   | Position | Item No. | Description                        | Position | Item No. | Description                          | Position |
|----------|-------------------------------|----------|----------|------------------------------------|----------|----------|--------------------------------------|----------|
| AI893    | Hinge Part T3 for 59014       | 1        | AI853    | Locking Plate Hinge Part for 59014 | 3        | 44008    | Gas Cylinder 6958NK / 450N for 59014 | 5        |
| 35093    | Guide Bearing 6x9x6 for 59014 | 2        | AI854    | Spacer 6.2x10x7.5 for 59014        | 4        |          |                                      |          |

**Air Valve**

| Item No. | Description                                    | Position | Item No. | Description                                      | Position | Item No. | Description                                      | Position |
|----------|--|----------|----------|--|----------|----------|--|----------|
| AI896    | Knee M5 4mm for 59014                          | 1        | AI900    | M5x20 Hexagon Socket Set Screw DIN 916 for 59014 | 7        | AI904    | Blind Plate Combi Valve for 59014                | 13       |
| AI897    | Compressed Air Hose 4x2 for 59014              | 2        | AI901    | M8 Crinkle Washer DIN 137 for 59014              | 8        | AI905    | M3x10 Slotted Cheese Head Screw DIN 84 for 59014 | 14       |
| 65748    | Hose Bill G1-2x19mm OU. for 59014              | 3        | AI902    | 6mm Adapter Valves Block for 59014               | 9        | AI666    | 3-2 Armature Met 8mm Seal for 59014              | 15       |
| AI898    | Base Block Combination Valve Model-I for 59014 | 4        | AI903    | Clamp Plate Valve Luminaire for 59014            | 10       | AH174    | Coil 24VAC 50/60Hz 8.5VA for 59014               | 23       |
| AI858    | Adapter Valve 2.5mm for 59014                  | 5        | AI859    | O-Ring 12x2mm for 59014                          | 11       |          |  |          |
| AI899    | M3x25 Countersunk Screw DIN 963 for 59014      | 6        | 35402    | Square Hose Coupling 1/8x4 Ext. for 59014        | 12       |          |  |          |

# Parts Breakdown

**Model VP-NL-0050-SN 59014**

**Switch Box**

| Item No. | Description                             | Position | Item No. | Description                                | Position | Item No. | Description                          | Position |
|----------|---|----------|----------|--|----------|----------|--------------------------------------|----------|
| 65704    | Din-Rail 380mm for 59014                | 1        | 15771    | Closed Contactor 24VAC for 59014           | 11       | 65710    | Embr AB193-ED1*P for 59014           | 21       |
| 15792    | Combi-Trafo P200/460V-S24/32V for 59014 | 2        | 35687    | Wire Clamp 2.5-2/2 AN for 59014            | 12       | 35318    | Wire Clamp 6-2/2 AN for 59014        | 22       |
| 65705    | Swivel M16x1.5 KS for 59014             | 3        | 35688    | Clamp Connector 2.5/2 for 59014            | 13       | 35317    | Earth Terminal PE 6-10 for 59014     | 23       |
| 65706    | Nut M16x1.5 KS for 59014                | 4        | 35307    | Fuse Keram.5x20 2.5A Delay for 59014       | 14       | 65711    | Closing Plate PAP PDU 6/10 for 59014 | 24       |
| 65707    | Nut M20x1.5 KS for 59014                | 5        | 35555    | Cover Switch Box for 59014                 | 15       | 65712    | Transmission ZQV 6/2 for 59014       | 25       |
| 35376    | Cable Gland M20x1.5 Plastic for 59014   | 6        | 35306    | Fuse Clamp 2.5-2/ZSI for 59014             | 16       | 65713    | Swivel M12x1.5 KS for 59014          | 26       |
| 35305    | End Fent for 59014                      | 7        | 27782    | Hexagon Flangenut M5 DIN6923 A2 for 59014  | 17       | 65714    | Nut M12x1.5 KS for 59014             | 27       |
| 35315    | Double Clamp 2.5-2 for 59014            | 8        | 35559    | Micro Cellular Rubber 4mm Black for 59014  | 18       | 35304    | Earth Terminal PE 4-2/3 for 59014    | 28       |
| 65708    | Locking Plate Zap ZDU 6-2 for 59014     | 9        | 65709    | Mounting Plate 2.5mm2 04-Series for 59014  | 19       | 15772    | Contactor 24VAC for 59014            | 29       |
| 35323    | End Plate Wire Connector for 59014      | 10       | 35141    | Hexagon Flange Nut M4 DIN6923-A2 for 59014 | 20       |          |                                      |          |

## Control Panel

| Item No. | Description                           | Position | Item No. | Description                              | Position | Item No. | Description                            | Position |
|----------|---------------------------------------|----------|----------|--|----------|----------|--|----------|
| 65753    | Cap Wide Holder 04-Control for 59014  | 3        | 65755    | Grommet 16mm (283 1600 599 99) for 59014 | 5        | 65740    | Cap Small Holder 04-Control for 59014  | 7        |
| 65754    | Cover Protection 04-Control for 59014 | 4        | 65756    | Grommet 20mm (283 1600 599 99) for 59014 | 6        | A1920    | Holder Large - PCB-HV Sensor for 59014 | 9        |